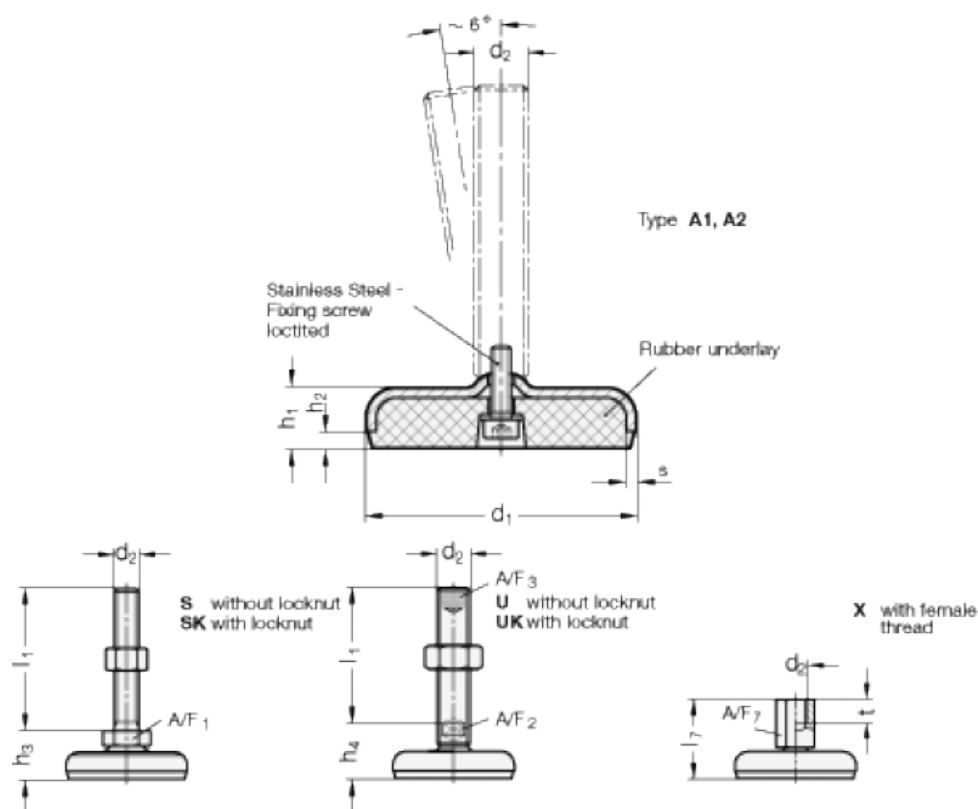


Article number: 2030100M1045A2X
 Description: E+G levelling foot
 GN 30-100-M10-45-A2-X
 Note: X With female thread, Wxternal hexagon

Measures



A/F7 = 14
 d_1 = 100
 d_2 = M10
 h_1 = 22
 h_2 = 6
 h_7 = 45
 s = 3
 t = 10